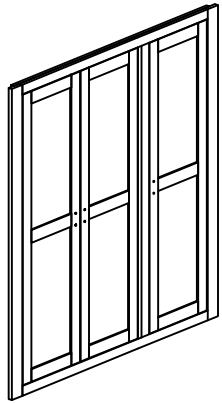
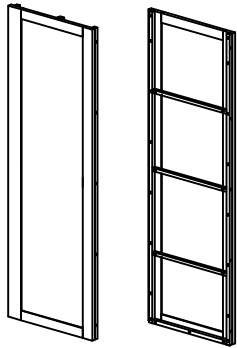


ASSEMBLY INSTRUCTION 3 DOOR 3 DRAWER WARDROBE

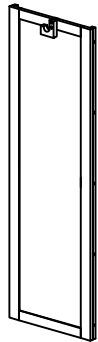
A = 1pc



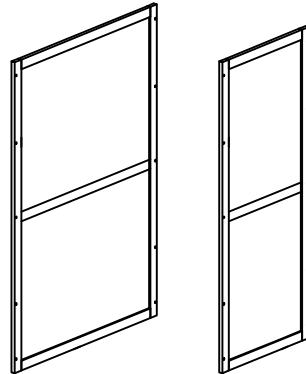
B = 02pcs



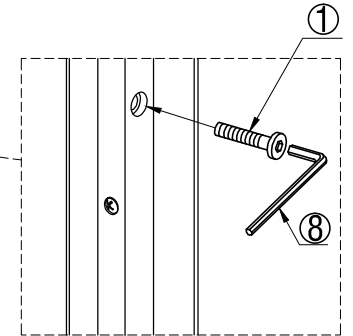
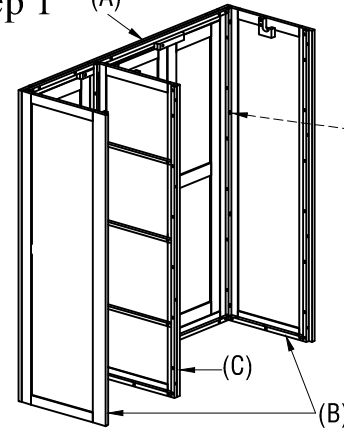
C = 01pc



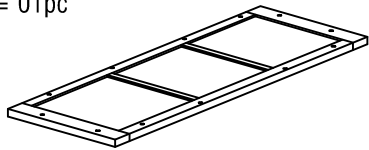
D = 02pc



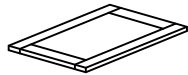
Step 1 (A)



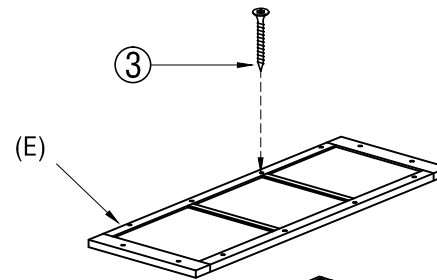
E = 01pc



F = 03pcs



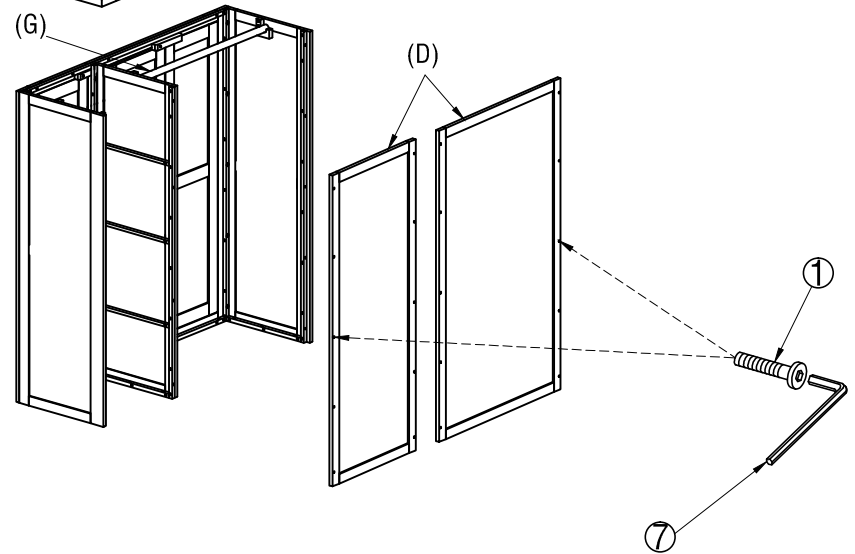
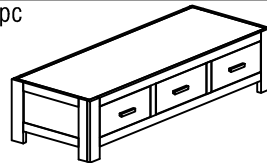
Step 2



G = 01pc



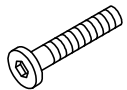
H = 01pc



HARDWARE

1

M6x30=34pcs



2

M4x30=6pcs



3

M4x30=12pcs



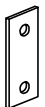
4

M4x15=18pcs



5

2x20x50=3pcs



6

2x20x (30,30) =3pcs



7

20x20 x150= 3 pcs

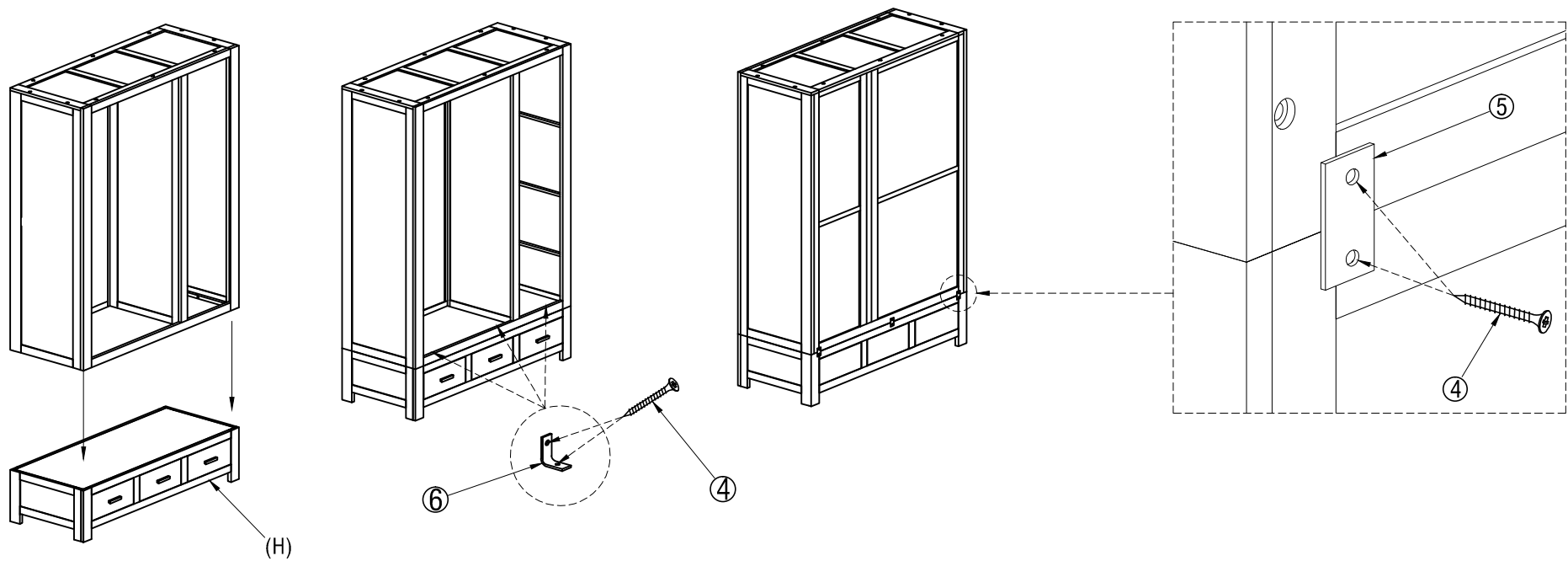


8

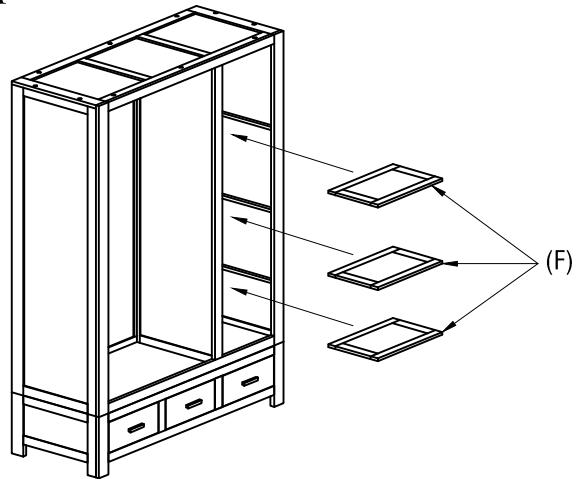
4x30x60=1pc



Step 3



Step 4



Step 5

